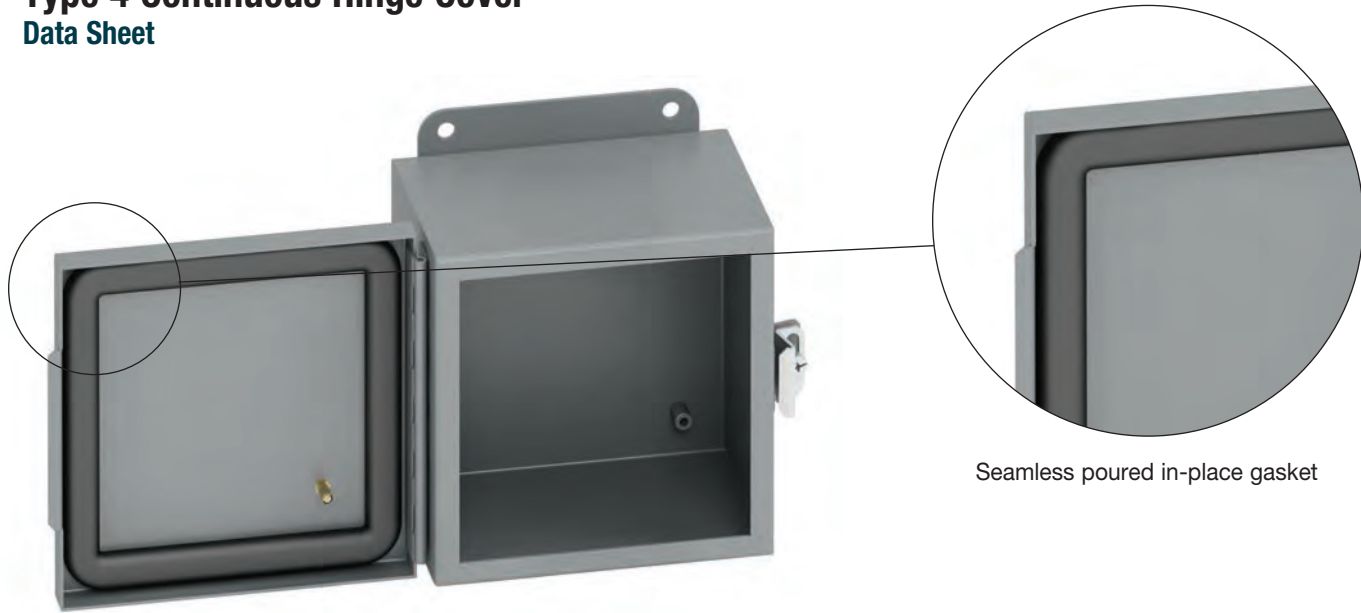


Type 4 Panel Enclosures

JIC Enclosures

Type 4 Continuous Hinge Cover

Data Sheet



Seamless poured in-place gasket

Application

- Houses electrical controls and instruments
- Intended for indoor or outdoor use
- Protects against windblown dust and rain, splashing water and hose directed water

Standards

- UL 508 listed, Type 4, Type 12 and Type 13
- CSA C22.2 No.94 certified, Type 4, Type 12 and Type 13
- Conforms to NEMA standard for Type 4, Type 12 and Type 13
- Conforms to JIC standard EGP-1-1967

Finish

- Wash and phosphate undercoat
- ANSI 61 gray polyester powder finish

Accessories

- Panels
- JIC terminal strap kit
- JIC terminal strip kit
- Terminal blocks
- Touch-up paint
- See Accessories section

Construction

- Enclosure and cover are fabricated from (16) gauge steel
- All continuous welded seams are finished smooth
- Cover is secured to the body with a continuous hinge on one side and easy-to-operate stainless steel screw clamps mounted to the opposite side
- Stainless steel hinge pin
- Cover has a seamless poured in-place gasket
- Ground stud provided on cover
- #10-32 weldnuts are provided for mounting optional panel on 6" x 4" and larger enclosures
- External mounting feet are provided for secure wall mounting

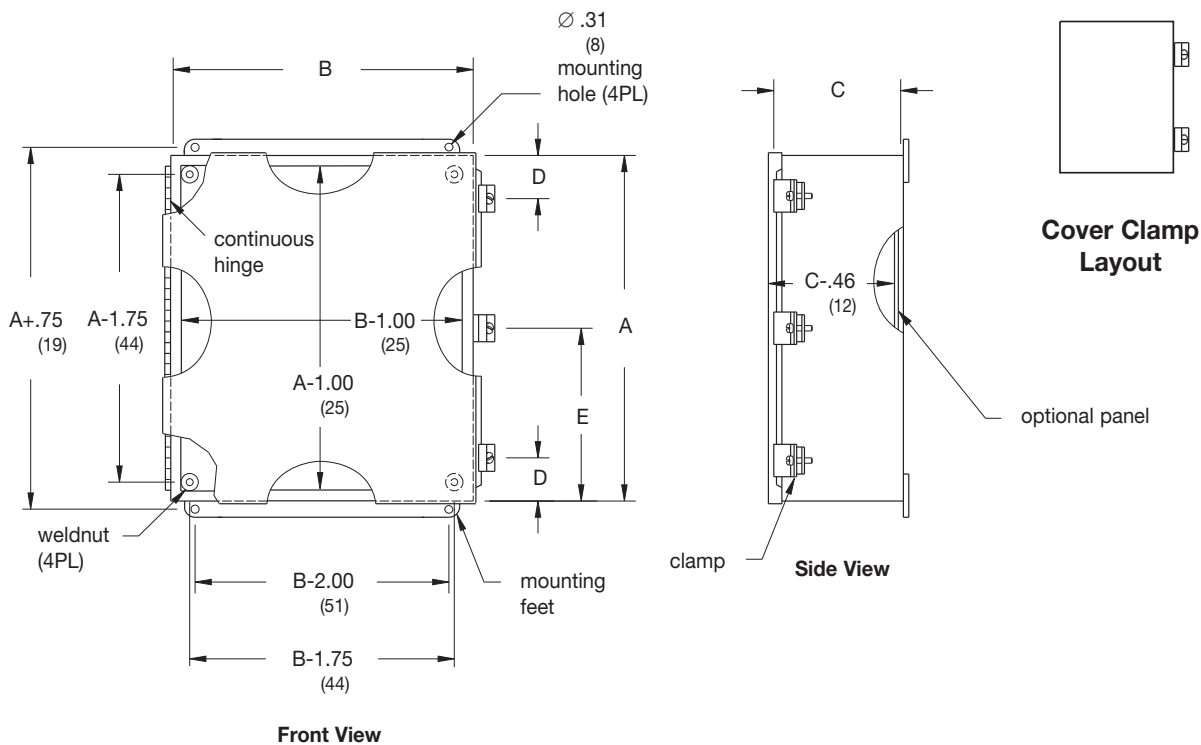
Discount Schedule: C2

Subclass: DC0

Notes: Cooper B-Line can provide special sizes, finishes and other modifications. Consult the factory for your special requirements.

JIC Enclosures Type 4 Continuous Hinge Cover Illustration Sheet and Catalog Number

Enclosure Catalog Number	Enclosure Size Height x Width x Depth A x B x C		D		E		Panel Catalog Number		Panel Size Height x Width	
	in.	mm	in.	mm	in.	mm	Steel	Conductive	in.	mm
443-4CHC	4.00 x 4.00 x 3.00	102 x 102 x 76	-	-	2.00	51	-	-	-	-
643-4CHC	6.00 x 4.00 x 3.00	152 x 102 x 76	-	-	3.00	76	AW64P	AW66GP	4.87 x 2.87	124 x 73
863.5-4CHC	8.00 x 6.00 x 3.50	203 x 152 x 89	2.00	51	-	-	AW86P	AW86GP	6.87 x 4.87	174 x 124
644-4CHC	6.00 x 4.00 x 4.00	152 x 102 x 102	-	-	3.00	76	AW64P	AW64GP	4.87 x 2.87	124 x 73
664-4CHC	6.00 x 6.00 x 4.00	152 x 152 x 102	-	-	3.00	76	AW66P	AW66GP	4.87 x 4.87	124 x 124
1084-4CHC	10.00 x 8.00 x 4.00	254 x 203 x 102	2.00	51	-	-	AW108P	AW108GP	8.87 x 6.87	225 x 174
12105-4CHC	12.00 x 10.00 x 5.00	305 x 254 x 127	3.00	76	-	-	AW1210P	AW1210GP	10.87 x 8.87	276 x 225
1086-4CHC	10.00 x 8.00 x 6.00	254 x 203 x 152	2.00	51	-	-	AW108P	AW108GP	8.87 x 6.87	225 x 174
12126-4CHC	12.00 x 12.00 x 6.00	305 x 305 x 152	3.00	76	-	-	AW1212P	AW1212GP	10.87 x 10.87	276 x 276
14126-4CHC	14.00 x 12.00 x 6.00	356 x 305 x 152	3.00	76	-	-	AW1412P	AW1412GP	12.87 x 10.87	327 x 276
16146-4CHC	16.00 x 14.00 x 6.00	406 x 356 x 152	3.00	76	-	-	AW1614P	AW1614GP	14.87 x 12.87	378 x 327



Notes: Dimensions are in inches. Millimeters shown are for reference only. Data subject to change without notice.